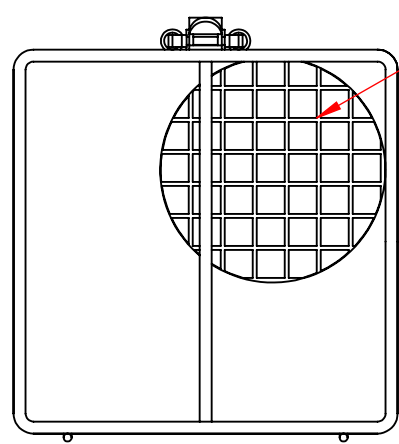
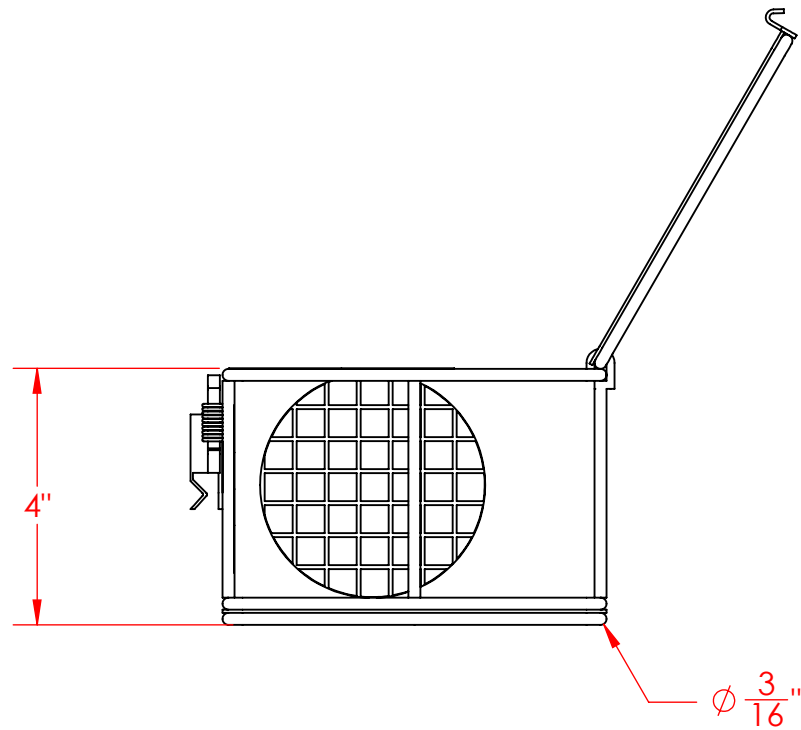
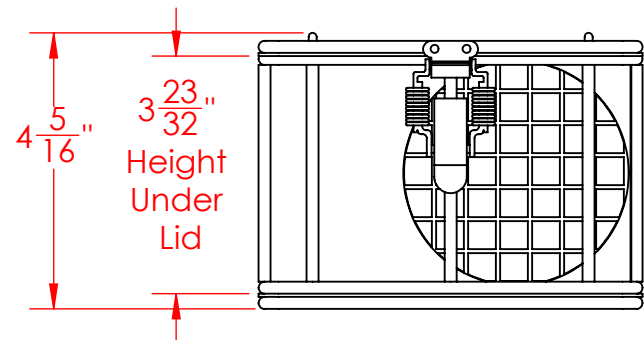
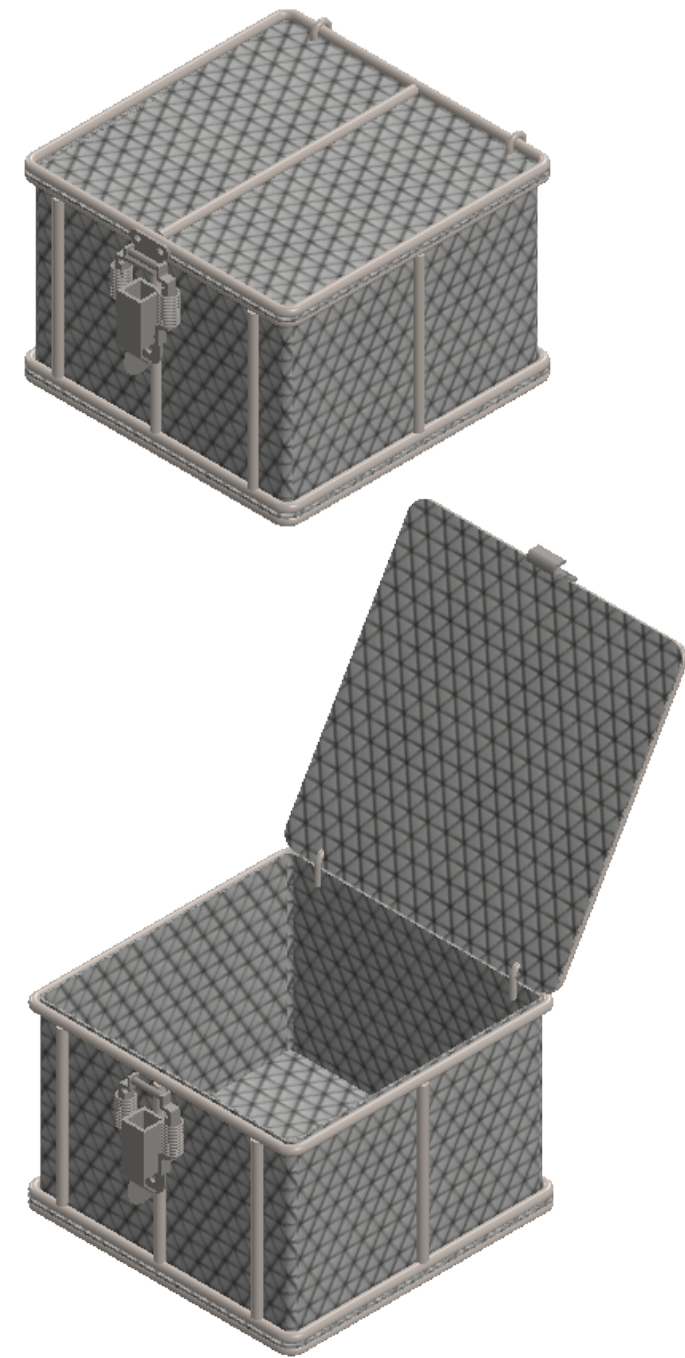


Lid Removed from View for Clarity



Lined Bottom, Sides, and Lid with 2 Mesh x .063" Welded Wire (.437" Openings, 76% Open Area)



UNLESS OTHERWISE SPECIFIED:
 DIMENSIONS ARE IN INCHES
 TOLERANCES:
 FRACTIONAL ± 1/16"
 ANGULAR: ± 5 DEG.
 TWO PLACE DECIMAL ±0.03
 THREE PLACE DECIMAL ±0.015

Rectangular Wire Mesh Basket:
 6Lx6Wx4H, 304 SS, 3/16 Rod Frame,
 Hinged Lid with Latch, Mesh: 2 x .063

PROPRIETARY AND CONFIDENTIAL
 THE INFORMATION CONTAINED IN THIS DRAWING IS THE SOLE PROPERTY OF THREE M TOOL. ANY REPRODUCTION IN PART OR AS A WHOLE WITHOUT THE WRITTEN PERMISSION OF THREE M TOOL IS PROHIBITED.

EST WGT
 1.7 lbs.
 MATERIAL
 304 Stainless Steel
 FINISH
 Natural
 DO NOT SCALE DRAWING

SIZE **B** DWG. NO.
 TMT-060060040-P02S

SCALE: 1:3

SHEET 1 OF 1